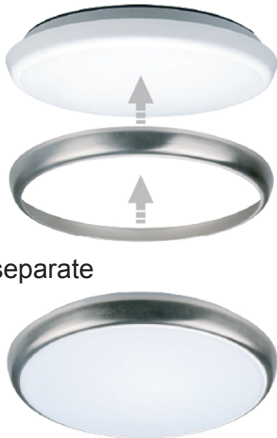




Technical Application Guide for RENLUX® Color Changeable Dimmable LED Ceiling light

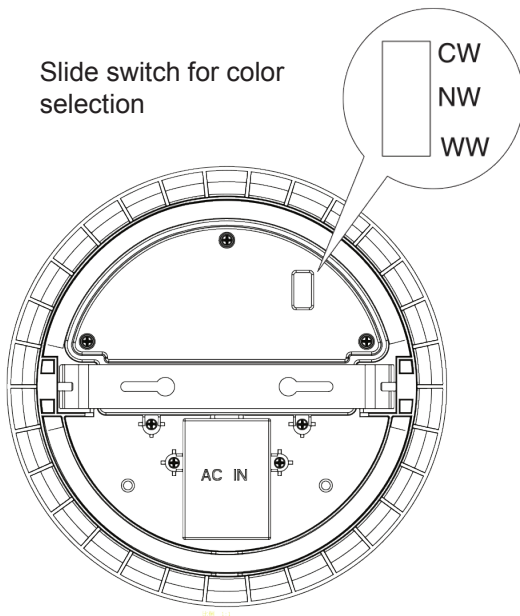
RX-AL08-400-30W

Introduction



Accessory sold separate

Slide switch for color selection



Color changeable LED ceiling light adopts high lumen SMD LED, fire-rated PC light housing and diffuser with even light output. The color is changeable between 3000k, 4000k and 5700k by slide switch. Also dimmable with triac dimmers. Multi-functional design shares great popularity.

- Up to 70% energy saving compared to standard CFL
- Long lifetime of 40,000 hours
- 120° wide beam angle
- No UV/IR light
- Environment friendly, without Mercury or any other hazardous substances

Application notes

- IP20 for indoor use only
- Professional electrician for installation only
- Switch off before installation
- Do not touch when in use
- Keep away from hot steam and corrosive gas

Operation illustrates:

1. Take rubber stopper out from slide switch for color selection.
2. Choose color by slide switch with correspond color temperature.
3. Insert rubber stopper back into slide switch properly.
4. Triac dimmable is available once a color has been selected

Note

1. Power offer before color selection operation
2. To avoid short circuit caused by damp location, rubber stopper must be put back properly after color selection

Application Areas

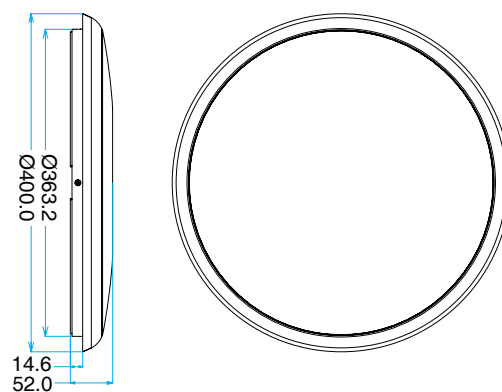
It is designed for general lighting applications in office, supermarket, shop, school, hotel, etc. It is also widely used for public areas, such as stairway, lobby, reception, corridors etc.

Certificates

CE RoHS



Product Information



Technical Specifications

Model	Voltage	Power	Power Factor	Lumen (±5%)	CCT	Beam angle	Lifespan	CRI	Dimmable	Dimension
RX-AL08-400-30W	AC230V	30W	≥0.9	2800	3000K	120°	40,000h	≥80	Yes	Ø400*52mm
				3480	4000K					
				3000	5700K					

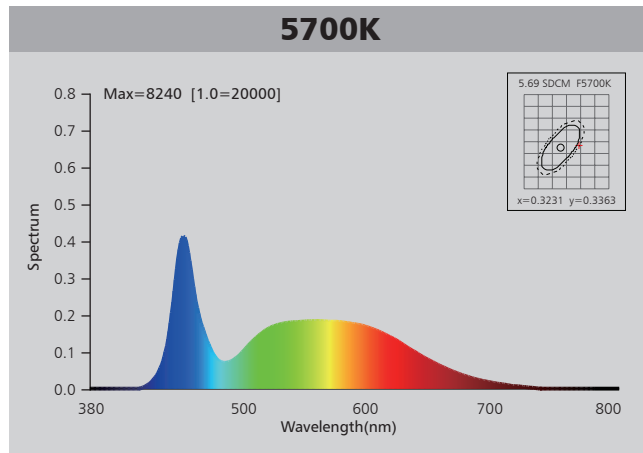
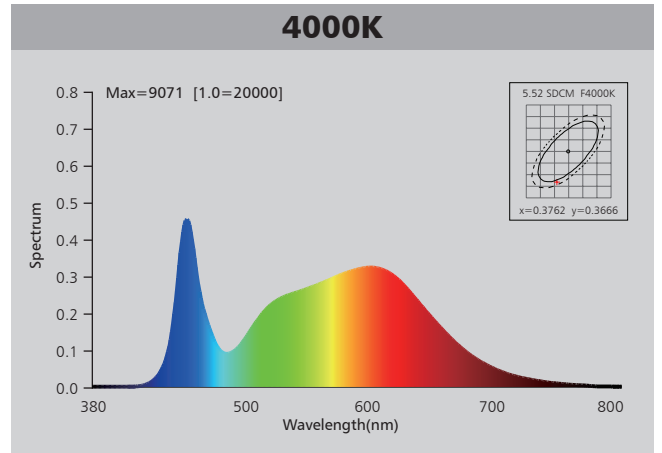
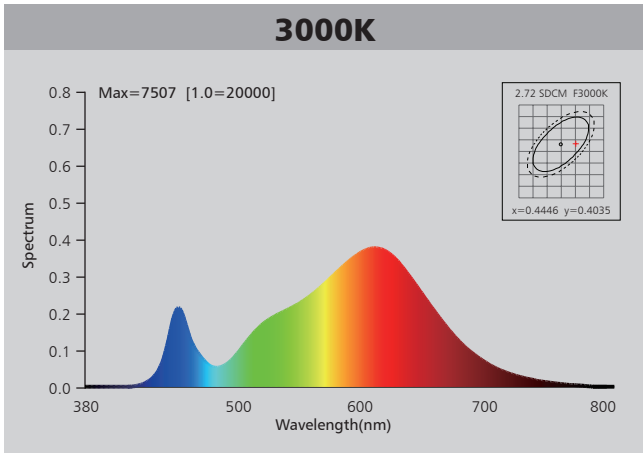
Driver data Sheet

Driver data	DIM
Input rated Voltage	AC230V
Frequency	50Hz
Input Voltage	AC200-240V
Efficiency	≥88%
No load wattage	≤0.5W
Total load Wattage	30W±5%
Power Factor	0.9
Rated input current	≤0.17A
Full load output Voltage	60-75V
Rated output current	370mA
Output current range	370mA±5%
Power tolerance	±5%
Current output tolerance	±5%
Dimming range	8%-100%
Dimmer	Triac dimmers
Short circuit protection	PASS
Over voltage protection	PASS
Over temperature protection	PASS
Withstand voltage	-

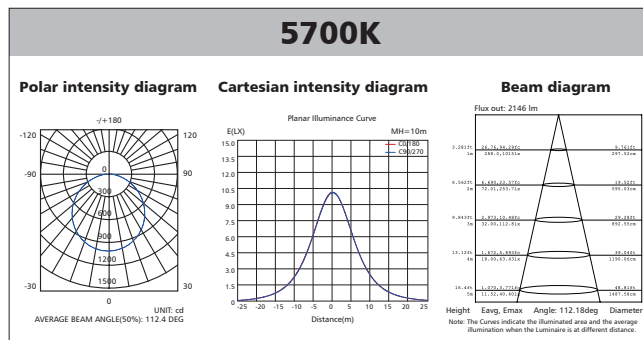
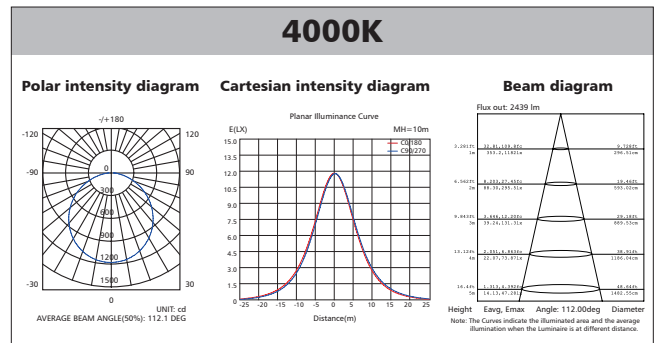
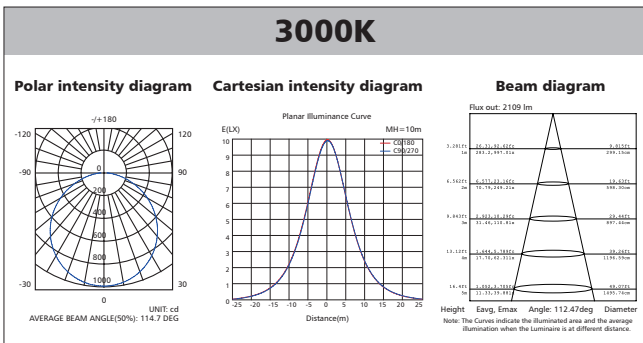
Fixture Compatibility

Rated Wattage	Electrical Classification	Ingress Protection	Operating Temp	Operating Humidity	Storage Temp
30W	II	IP54	-20°C~45°C	0~90%	-20°C~65°C

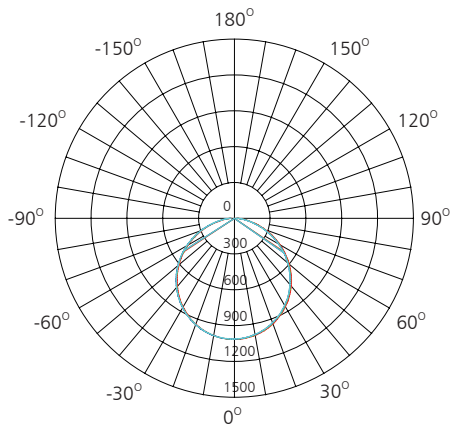
Spectral Distribution



Photometric Diagram



Polar Diagram Comparison



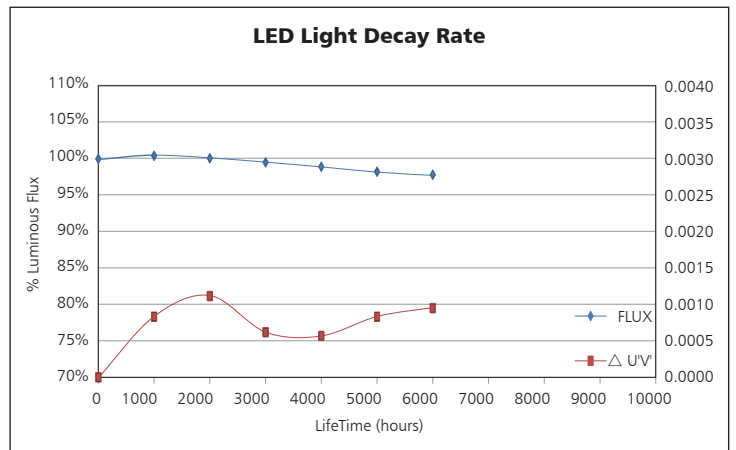
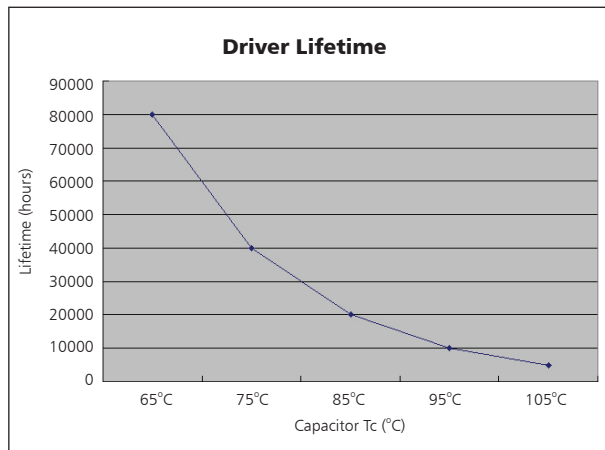
AVERAGE BEAM ANGLE (50%): 112.4DEG

UNIT: cd

- C0/180, 112.4 deg
- C30/210, 112.4 deg
- C60/240, 112.5 deg
- C90/270, 112.4 deg

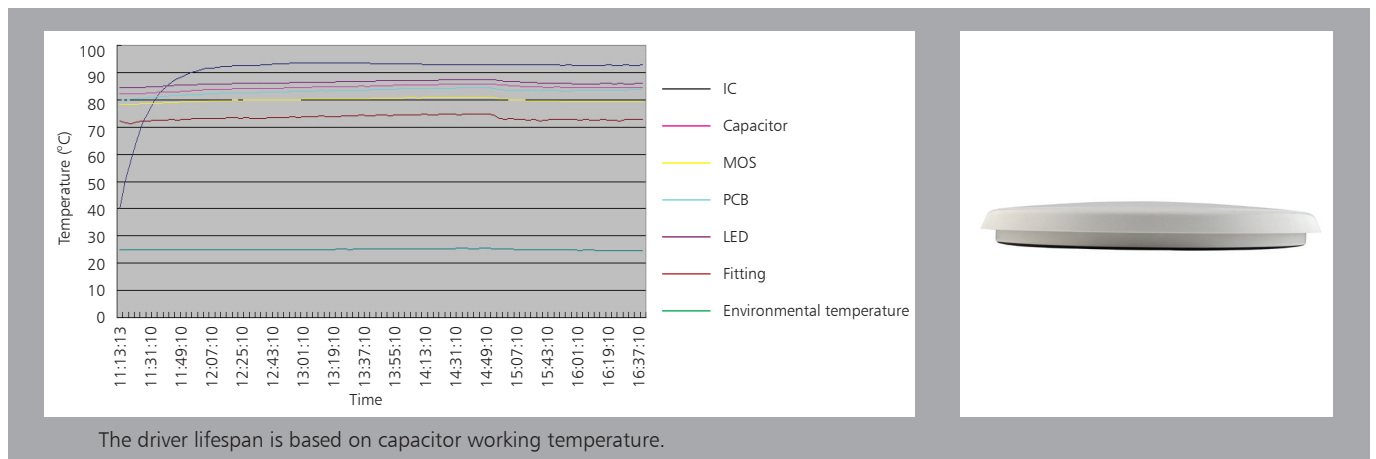


Driver lifetime & LED light decay rate



Temperature

- The testing is operated at 25°C
- The lifetime of capacitor, minimum of 5,000 hours if operated at 105°C, will be doubled whenever the temperature drops 10°C
- The highest withstand temperature of IC, MOS could be 120°C
- The highest withstand temperature of LED junction temperature is 150°C



Installation

1. Take out ceiling light and accessory pack from box

2. Take rubber stopper out from slide switch for color selection.

3. Choose color by slide switch with correspond color temperature.

4. Insert rubber stopper back into slide switch properly.

5. Knock-in the plastic anchor into ceiling

6. Remove screw, take out bracket

7. Fix bracket with screw into the ceiling

8. Open junction box, wire "L" "N" to terminal block and mount ceiling light into the right place

9. Switch on

L=Brown
N=Blue

Packaging Information

	SIZE(CM)	N.W/pc (KGS)	G.W.(KGS)	Q'TY(PCS)
Carton	63.5*43*43	1.4	18.84	10

